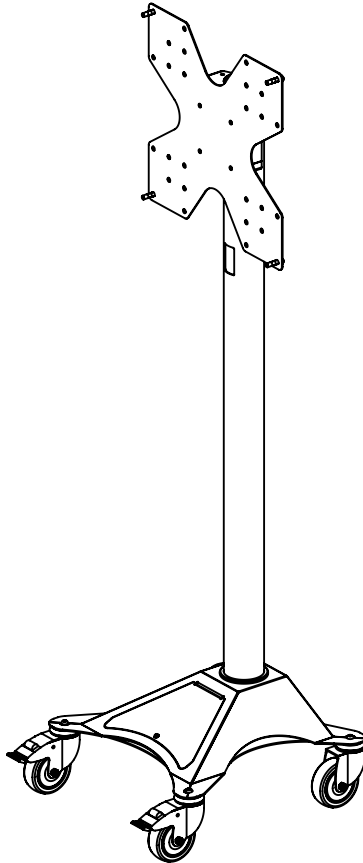


Installation Guide

SPM148

**Mobile signage cart for screens up to 75"
(max VESA 400)**





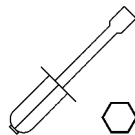
CAUTION

- Please ensure that you read and understand the content of the installation guide before you begin the installation process.
- This product is intended for indoor use only.
- The maximum weight limit for this product is 100 kg. Do not exceed the stated weight limit.
- Please don't power the hardware, until the entire solution is fully assembled.
- If these installation instructions are not followed precisely, it could lead to product failure and potential personal injury.
- Ergonomic Solutions / SpacePole inc. cannot be held responsible for any product failure or personal injury, if the installation instructions are not followed correctly.
- Ergonomic Solutions / SpacePole inc. cannot be held responsible for any product failure or personal injury, if any modifications have been made to the product by the customer.

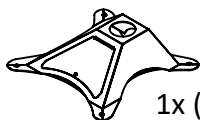
MAINTENANCE

- It is the responsibility of the customer to periodically check the installation and ensure it is clean, all air ventilation holes are free and all fixings are tightened correctly.

Tool list



Box content



1x (A) Base module



1x (E) VESA plate



2x (B) Castor w. brake



4x (F) M6x12 screw



4x (G) M6x20 screw



4x (H) M8x16 screw



2x (C) Castor w/o brake



4x (I) M8x25 screw



4x (J) M8x35 screw



8x (K) Ø8/Ø16 washer



4x (L) Ø8/Ø24 washer



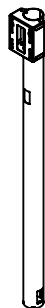
4x (M) Ø8/Ø15x5 spacer



4x (N) M6 nut

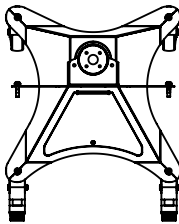
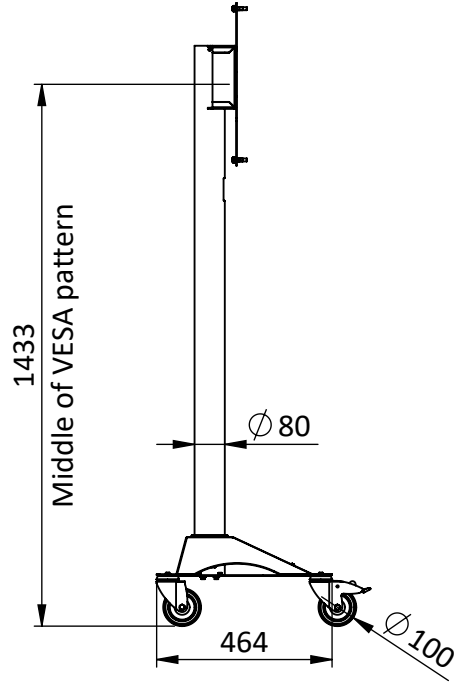
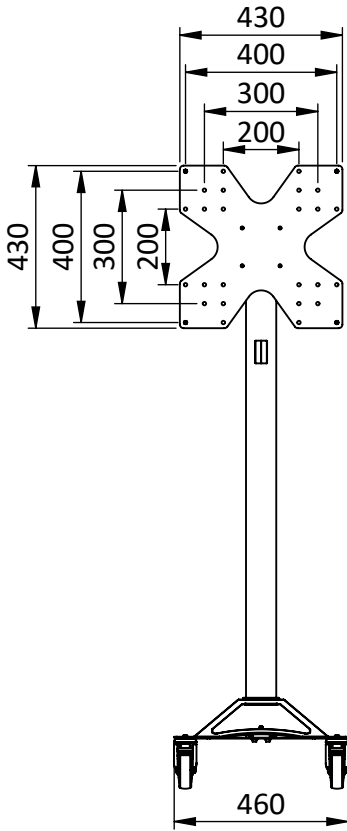


4x (O) M8 nut



1x (D) Pole module

Dimensions [mm]

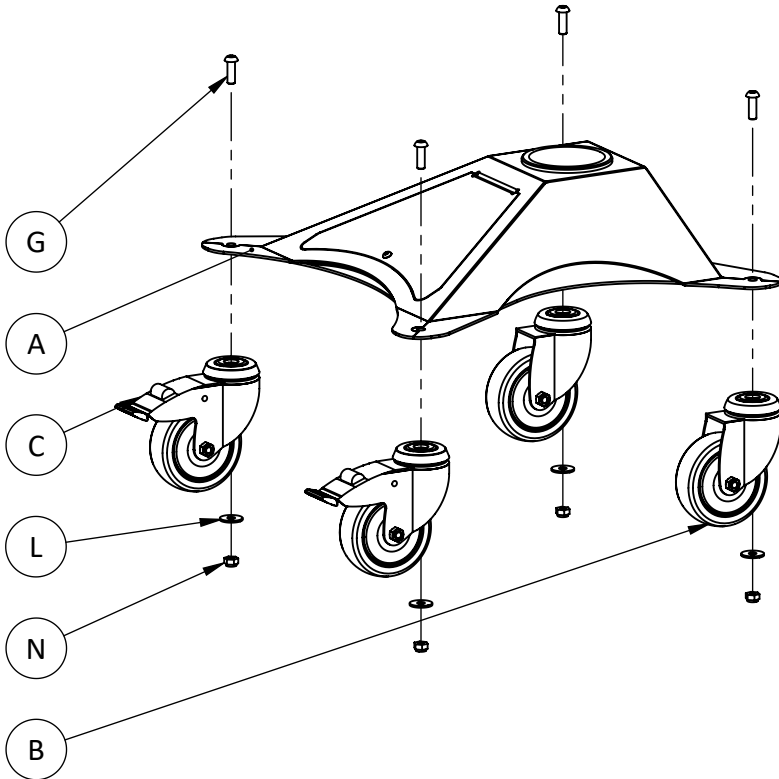


Steps

Step 1: Mount castors

Parts:

- 1x (A) Base module
- 2x (B) Castor w. brake
- 2x (C) Castor w/o brake
- 4x (I) M8x25 screw
- 4x (L) $\varnothing 8/\varnothing 24$ washer
- 4x (O) M8 nut



Steps

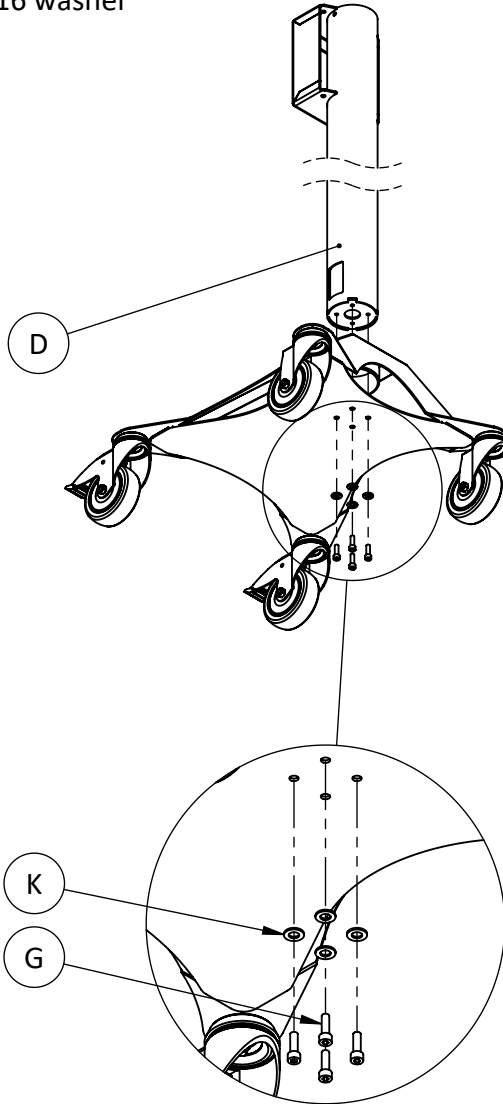
Step 2: Mount pole on base module

Parts

1x (D) Pole module

4x (G) M6x20 screw

4x (K) $\varnothing 8/\varnothing 16$ washer



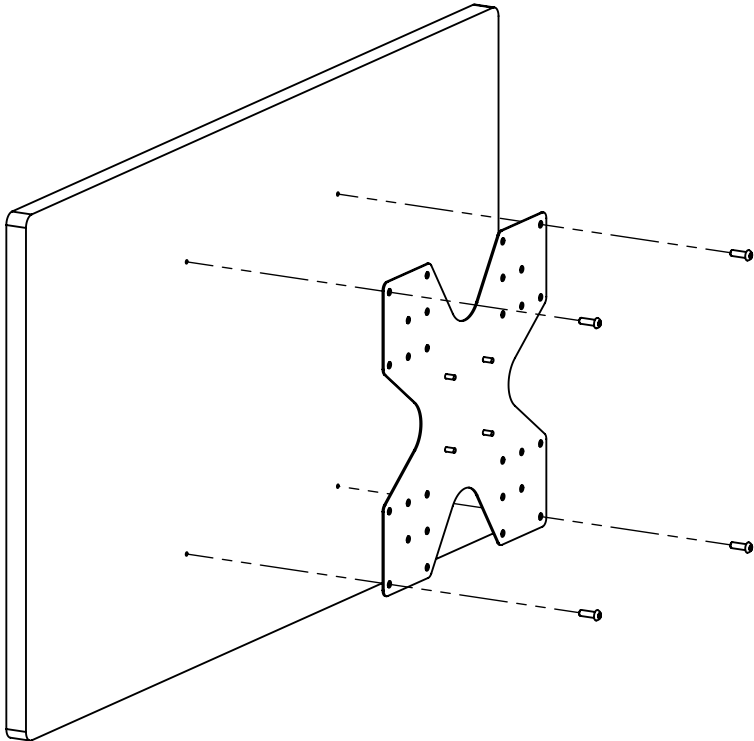
Steps

Step 3: Mount VESA plate to screen

Parts

- 1x (E) VESA plate
- 4x (F) M6x12 screw
- 4x (H) M8x16 screw
- 4x (I) M8x25 screw
- 4x (J) M8x35 screw
- 4x (K) $\varnothing 8/\varnothing 16$ washer
- 4x (M) $\varnothing 8/\varnothing 15 \times 5$ spacer

WARNING: Select appropriate screw length/size, combine with washer/spacer if needed.

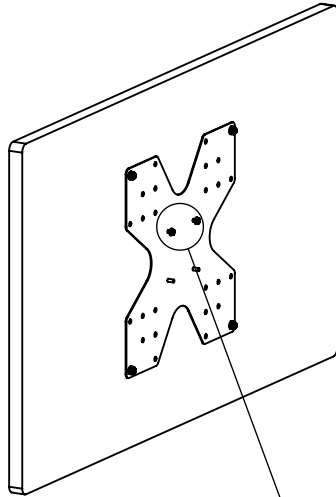


Steps

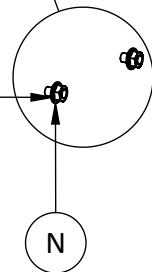
Step 4: Prepare to attach screen/VESA plate to pole

Parts:

2x (N) M6 nut



Mount two nuts to the upper threaded studs, so they are flush with the end

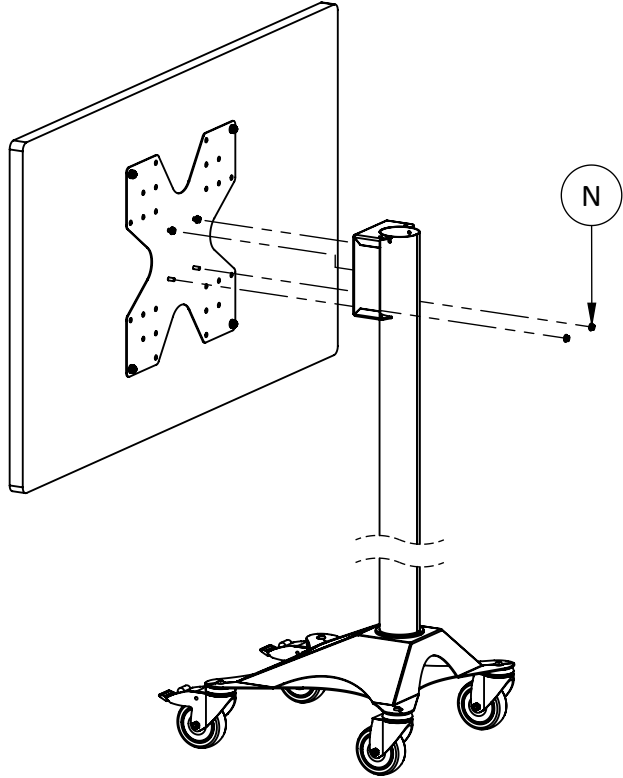


Steps

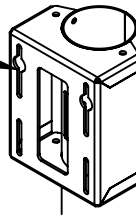
Step 5: Attach screen/VESA plate to pole

Parts:

2x (N) M6 nut

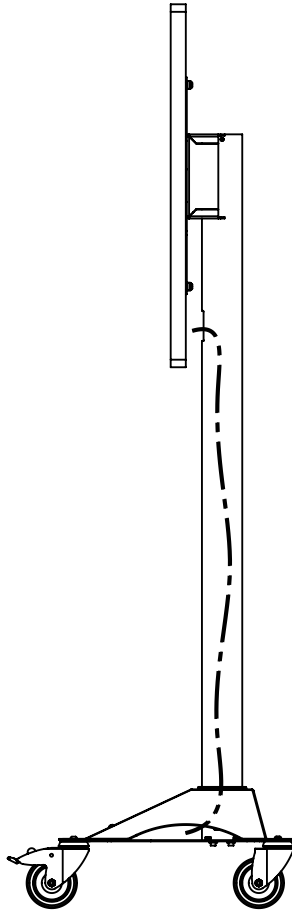


1. Route the two pre-mounted nuts through the keyholes
2. Tighten all 4 nuts



Steps

Step 6: Route cables from screen to base



This page intentionally left blank

Need help? Contact us



ergonomic.solutions/about/contact-us

spacepole.com/about/contact-us